

## Specifications

Print Speed	97m/hr	66m/hr	51m/hr	34m/hr
Print Resolution	720 x 600dpi 2Pass	360 x 1,800dpi 3Pass	720 x 1,200dpi 4Pass	720 x 1,800dpi 6Pass
Max Print Width	1,900mm			
Max Media Load	Width : 1,940mm / Diameter : 200mm / Weight : 30kg			
Print Mode	Bi-Direction / Uni-Direction			
Printhead	Piezo type I3200 Printhead - 2ea			
Color	4Color (C, Y, M, K)			
Ink	DGI Original Water Based Dye Sublimation Ink			
Rip Software	ergosoft ver.16			
Interface	TCP / IP			
Environmental Range	Temperature : 16~28°C      Humidity : 35~65% Environmental conditions may affect the printing quality.			
Electricity Requirements	Printer : Single Phase 200~240V(50~60Hz, AC), 8A Front : Single Phase 200~240V(50~60Hz, AC), 18A Bottom : Single Phase 200~240V(50~60Hz, AC), 10A			

※ All Specifications are subject to change without prior notice.

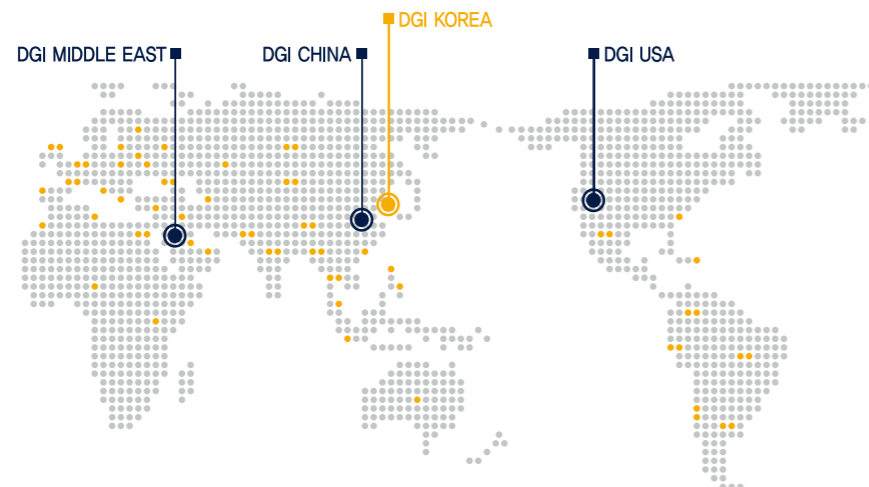
## Size & Weight

Uncrated				Crated			
Length (mm)	Width (mm)	Height (mm)	Weight (kg)	Length (mm)	Width (mm)	Height (mm)	Weight (kg)
2,980	840	1,600	370	3,110	990	1,090	660

## Global Sales Network

\*Overseas Branches : 3

\*Overseas Distributors : 70



**DGI**  
DIGITAL GRAPHICS INCORPORATION  
52, Cheongdam-Ro, Yangju-si, Gyeonggi-do, Korea, 11459  
TEL : +82-31-820-8900    A/S : +82-31-820-8880  
FAX : +82-31-820-8990    E-MAIL : sales@dgi-net.com  
[www.dgi-net.com](http://www.dgi-net.com)



# HERCULES

DYE SUBLIMATION



# “The best Quality meets the lowest Price”

## Printing Speed

High Speed Mode 2pass (720x600dpi)	97m/h
Standard Mode 4pass (720x1,200dpi)	51m/h
Quality Mode 6pass (720x1,800dpi)	34m/h

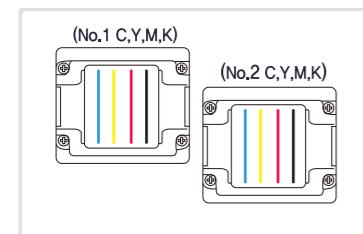
## Bulk ink supply system

2.5 liter bulk ink tank for easy ink supply and continuous printing support  
\* Alert by alarming in case of insufficient ink by using level sensor



## 2 pieces of Epson I3200 heads installed

Head arrangement



## Carriage collision sensor

Prevents damage to the print head and printing product by stopping the carriage movement when it detects contact with an obstacle or transfer paper during printing, and ensures use and safety



## Vacuum Suction Capping Station

Clean and safe long-term use by adopting vacuum suction method for head cleaning and maintenance



## ✓ DGI's Heritage

### Output speed control function

Normal : 100% (Basic settings)  
Quality : 80%  
High Quality : 49%

Print quality can be further improved by adjusting the carriage output speed  
Automatic adjustment of the calibration to the carriage speed



### Hot air dryer

Solves the drying problem during high-speed printing with primary hot air drying



### F173 Genuine Ink

Improving print quality by developing genuine sublimation ink Improved print head stability



### Exclusive Waveform

Waveform developed exclusively for genuine ink with support from Epson

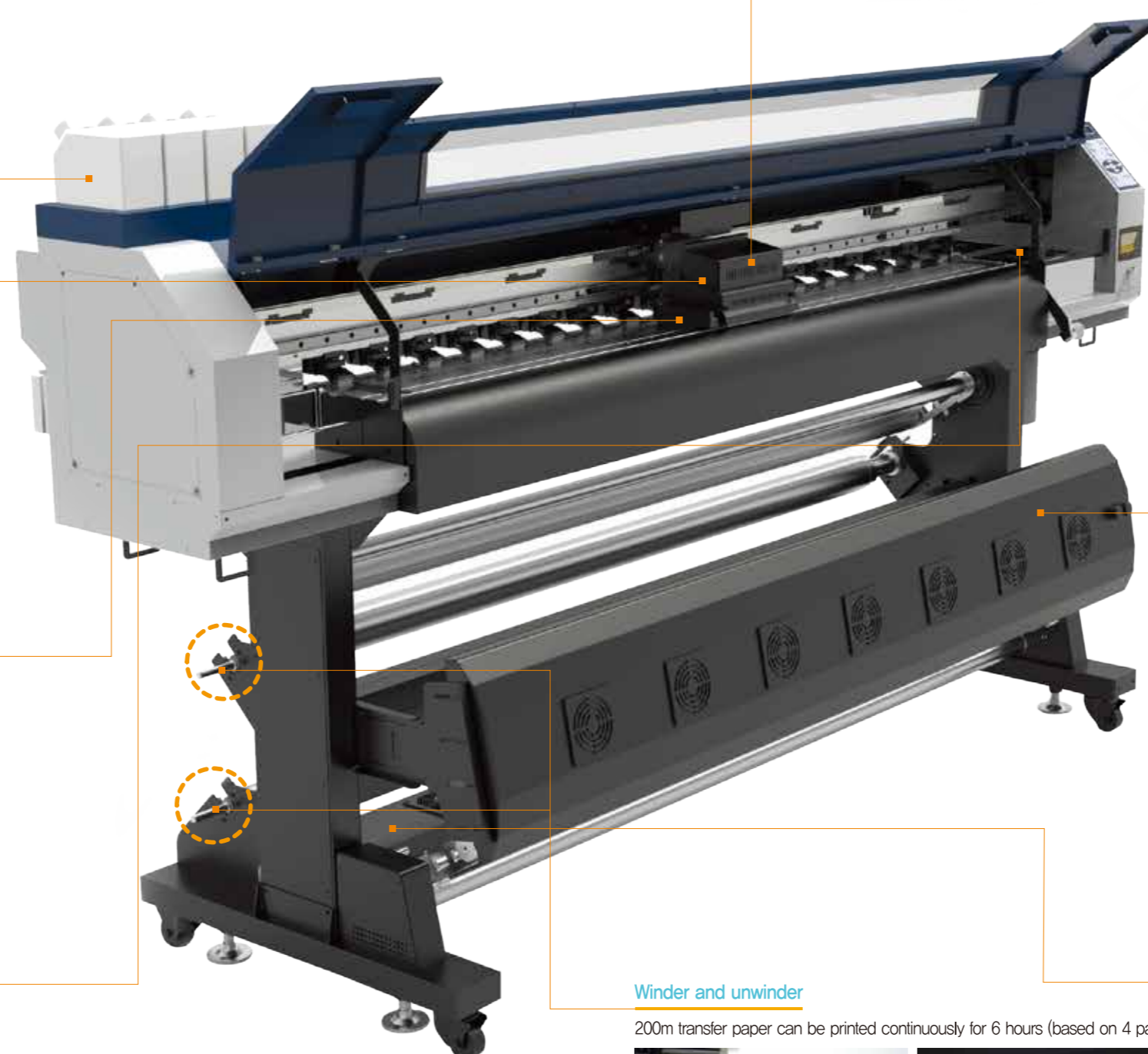
### ergosoft V16 RIP as bundled

Comes bundled with V16 for the highest quality



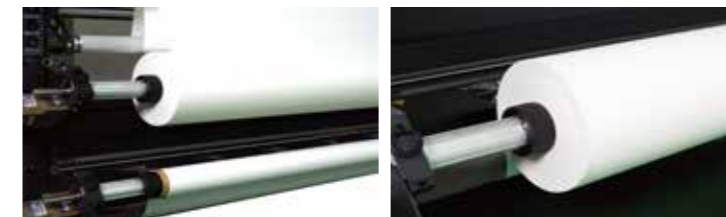
### Bottom dryer

Improved drying ability by installing a secondary hot air dryer at the bottom of the printer



### Winder and unwinder

200m transfer paper can be printed continuously for 6 hours (based on 4 passes)



※ Constant winding state throughout 200m output